

Product Name	All-in-one Solar Street Light
Product No	AN-SLA
Manual No	02
Date	2020.05

Anern Industry Group Limited



2020
New Solar Light

Anern®

Our Advantage



Main features:

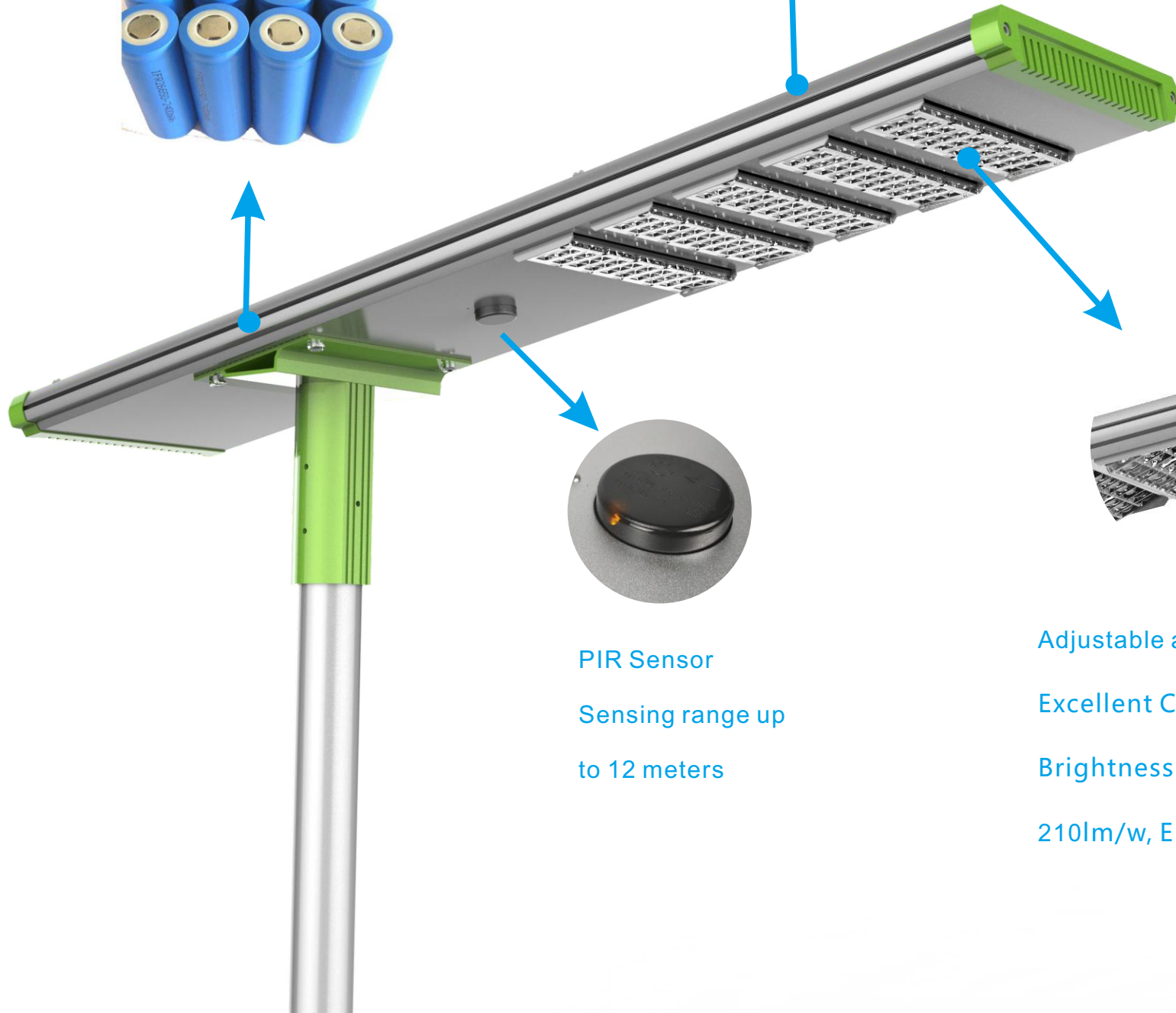
1. 2019 Anern patented product, beautiful appearance and adjustable molded design.
2. Using high brightness Bridgelux / Osram / Philips led chip up to 210lm/w.
3. Big capacity and deep cycle lithium battery, more durable service life.
4. Top quality solar cells, smaller size but higher efficiency.
5. Night sensor + PIR motion sensor, support 4-5 nights after full charging.

Component Details

Long life cycle, >2000 times deep cycle
No memory effect, highly efficient charge anytime
Good performance at high temperature resistance
Low self-discharge rate < 3% monthly



21% photoelectric conversion efficiency
Snow/Wind load
PID resistant
25-year progressive warranty



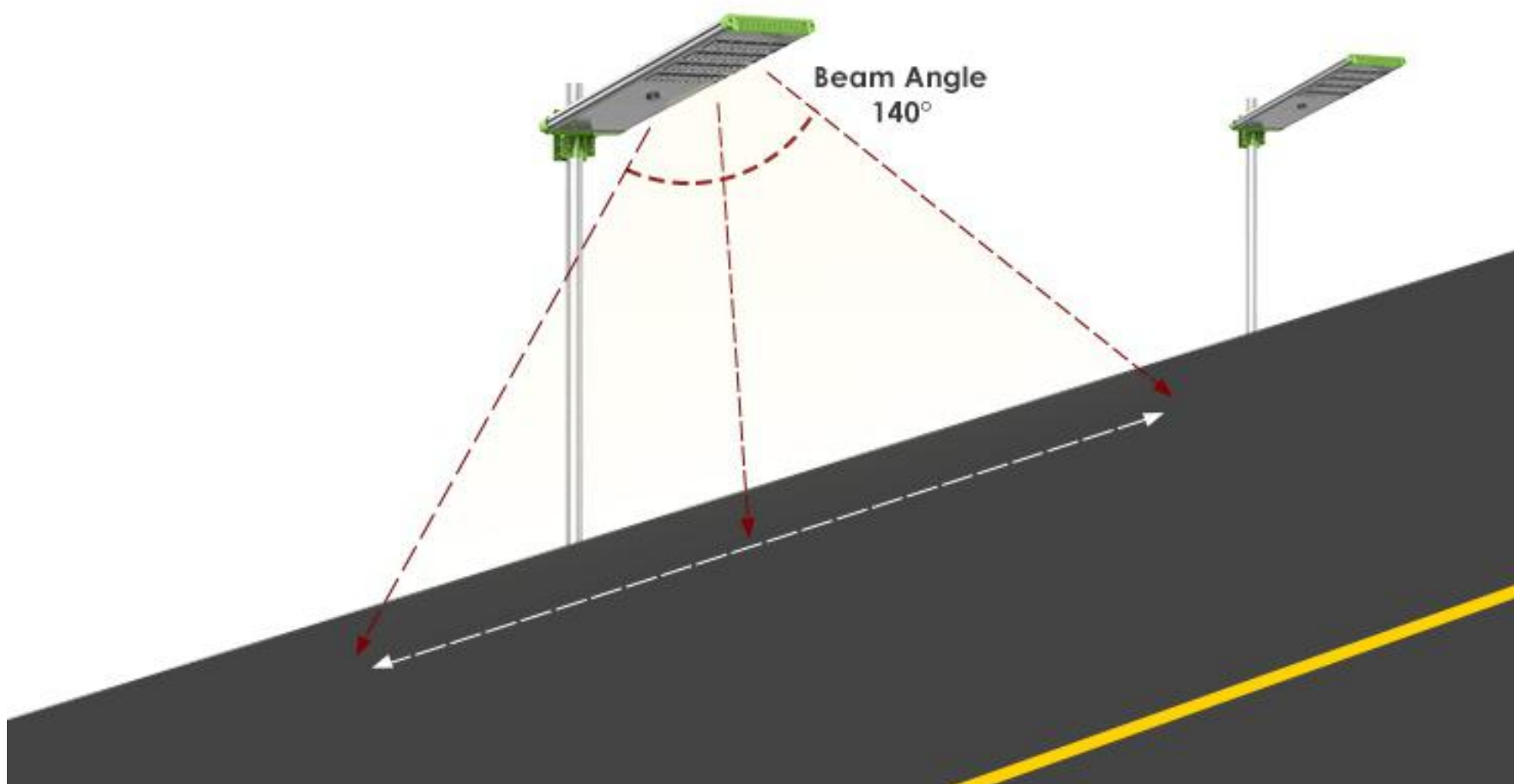
PIR Sensor
Sensing range up
to 12 meters

Adjustable angle module design
Excellent Color Consistency
Brightness Decay can be as low as 3%
210lm/w, Energy Saving over 50%

Feature

Professional lighting design

140 degree beam angle, can provide much wider effective lighting area
Anti-glare design, more uniform lighting



Remote Control Model (30-120W)

DEMO: No matter day or night, light “on” for 1 minute.
Only for test use.

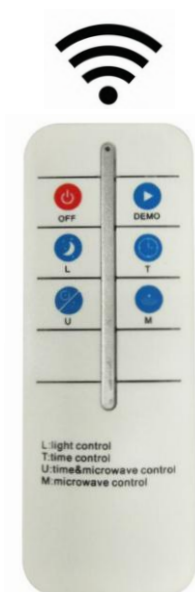
OFF: No matter day or night, light “OFF” .

L: At night, 12hr full power.

T: At night, 4hrs Full Power+8hrs 25%.

M: At night, 12hrs Motion Sensor Control.

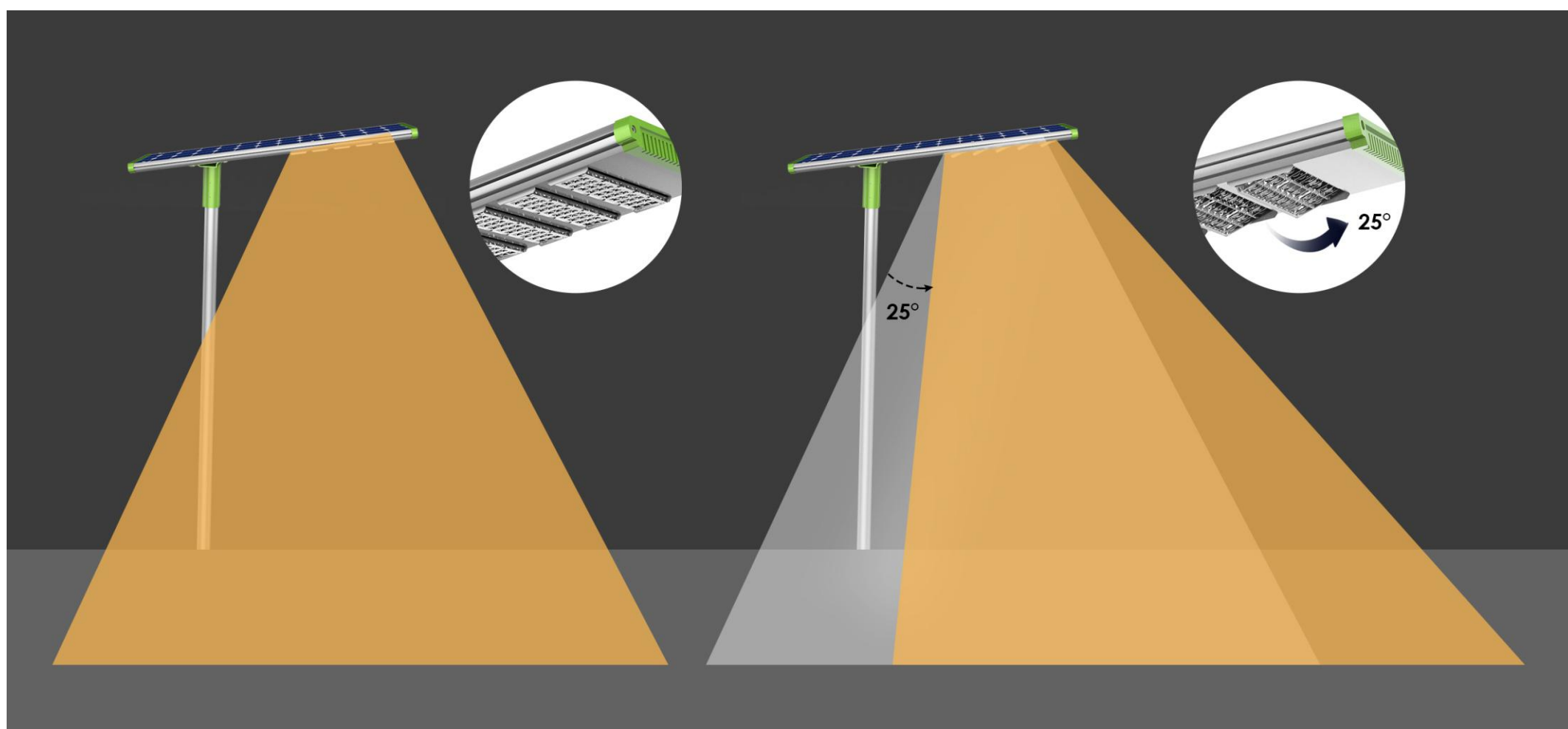
U: At night, 4hrs Full Power+8hrs Motion Sensor Control.



Feature

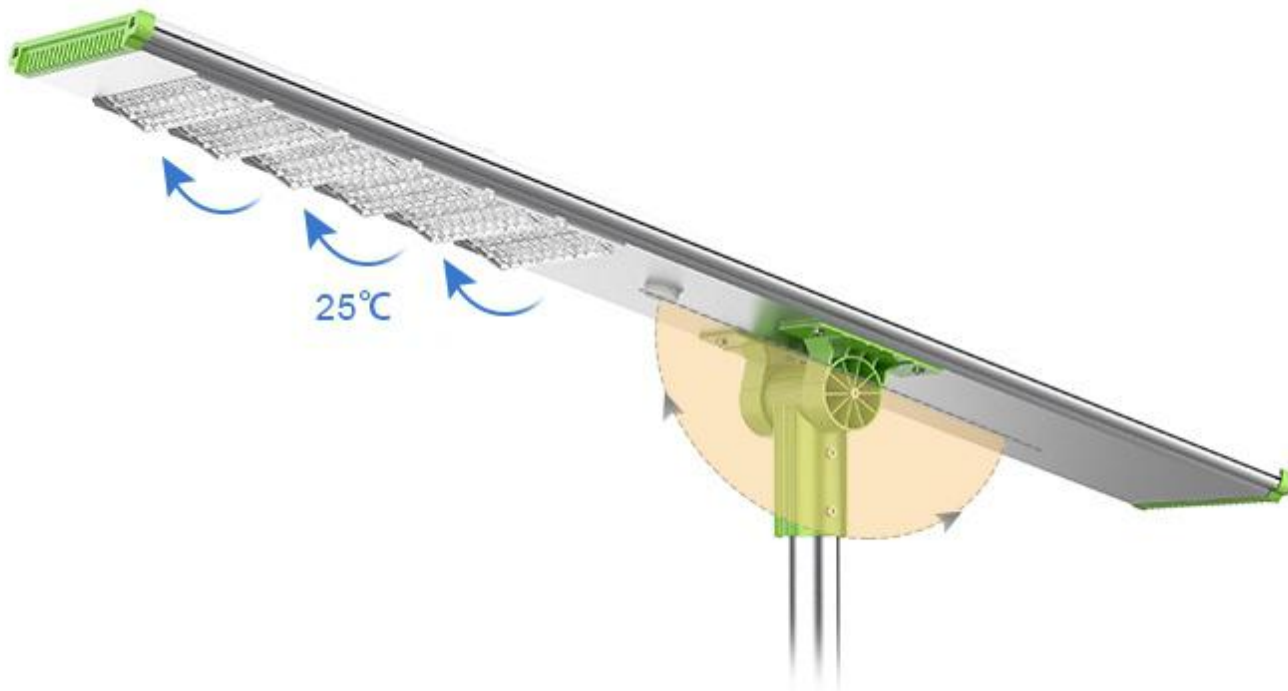
Adjustable Angle LED Module

25 degree adjustable angle module design, can be adjusted according to road conditions.



Feature

180°Adjustable Bracket



Various LED Modules are available



HD Wifi Camera(optional)

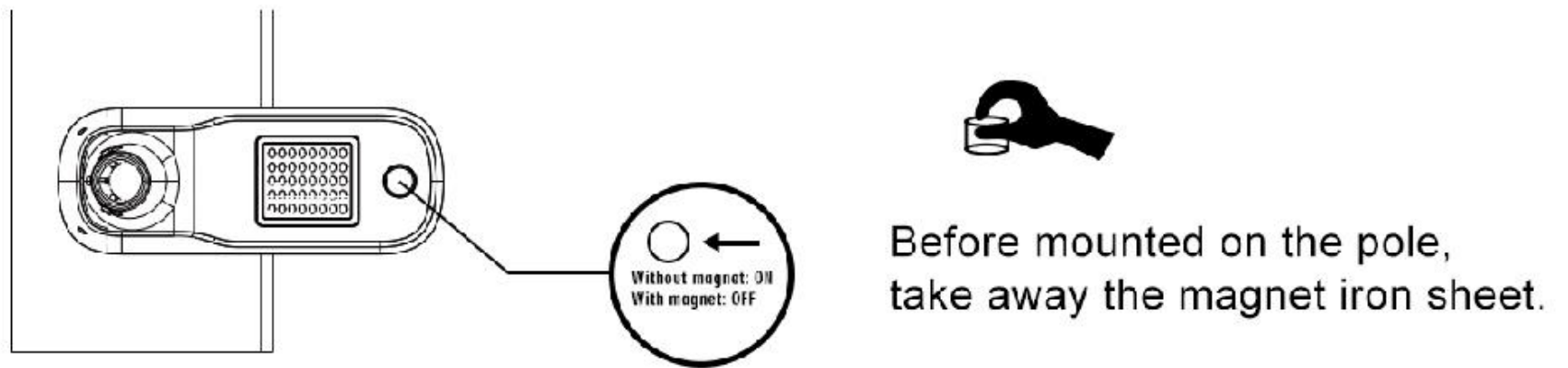


WIFI Features

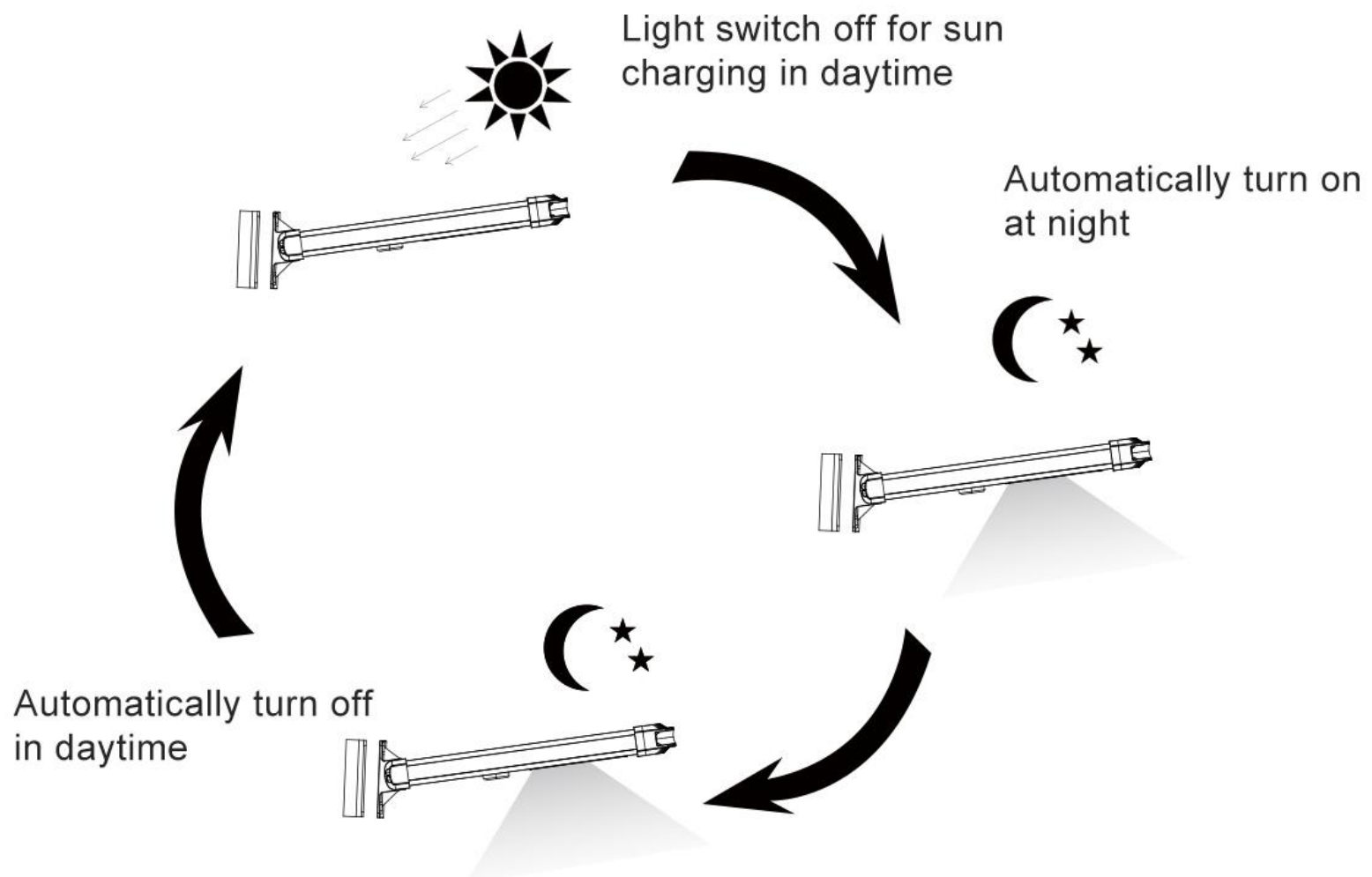
High resolution with 90 degree view angle ; solar lamps and camera are integrated, no additional installation; Easy operation with WIFI connection



Operation Instructions



The internal battery is locked from factory for safety shipment, so users have to take away the magnet iron sheet to unlock the battery and lighting system.



Basic Parameters: AN-SLA-30W

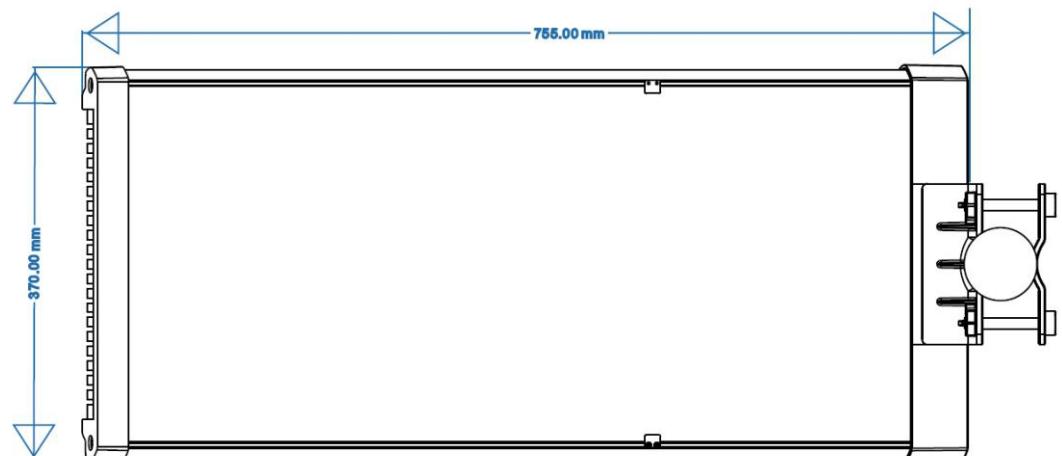
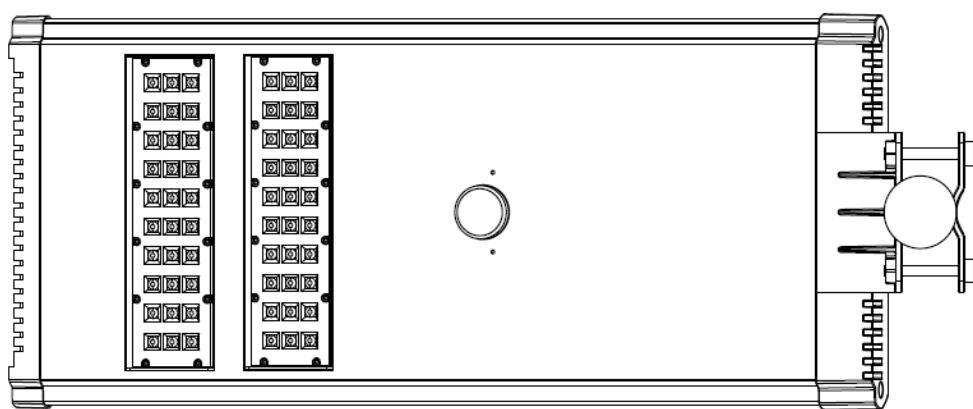
Electrical Characteristic	
Rated Power	30W
Solar Panel(Mono)	18V50W
Lithium Battery	12V 24AH
Charging Time	6-8H
Lighting Time	4-5 nights
Working Temperature	-25°C~+65°C
Sensing Distance	≤12M



LED Parameters	
LED	60pcs 3030
Luminous FLux	210lm/w
Light Distribution	Batwing Type
Color Temperature	2800-6500K



Mechanical Specification	
Light Body Size	755*370*175mm
Mounting caliber	60-70mm
Retail Packaging	82.5*20.5*44cm
Gross Weight	12.5kg

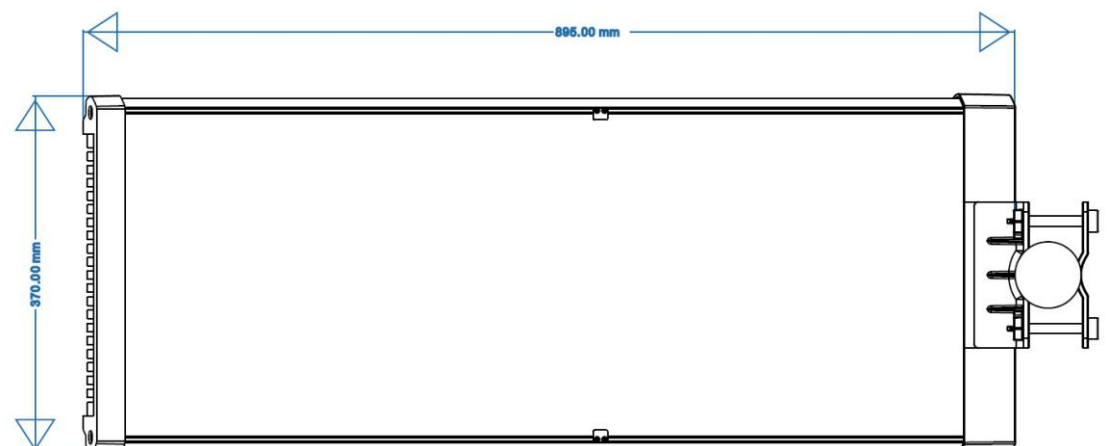
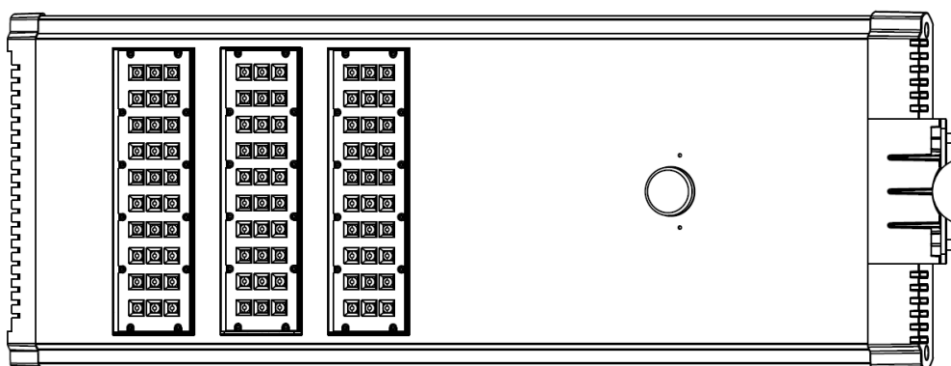
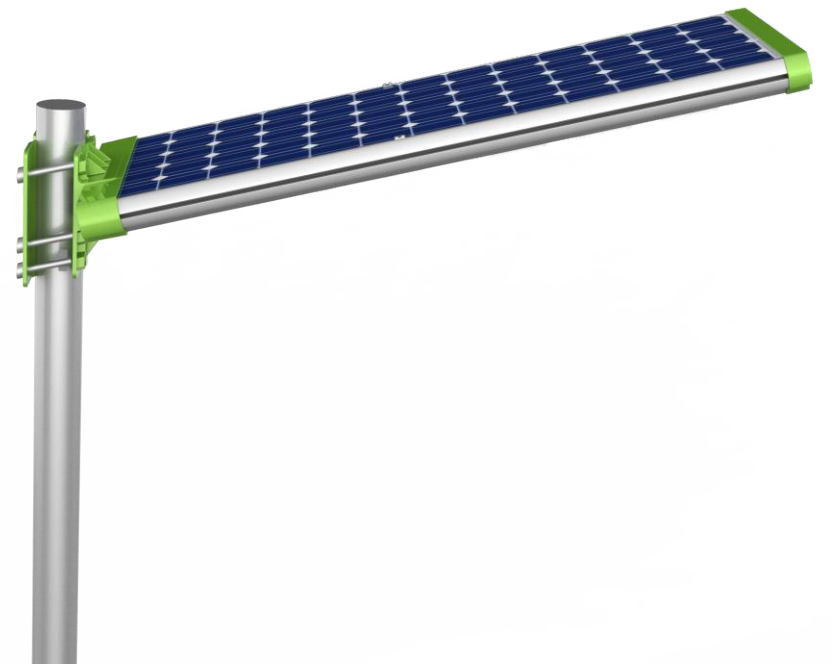


Basic Parameters: AN-SLA-40W

Electrical Characteristic	
Rated Power	40W
Solar Panel(Mono)	18V65W
Lithium Battery	12V 28AH
Charging Time	6-8H
Lighting Time	4-5 nights
Working Temperature	-25°C~+65°C
Sensing Distance	≤12M

LED Parameters	
LED	90pcs 3030
Luminous FLux	210lm/w
Light Distribution	Batwing Type
Color Temperature	2800-6500K

Mechanical Specification	
Light Body Size	895*370*175mm
Mounting caliber	60-70mm
Retail Packaging	96.5*20.5*44cm
Gross Weight	13.6kg

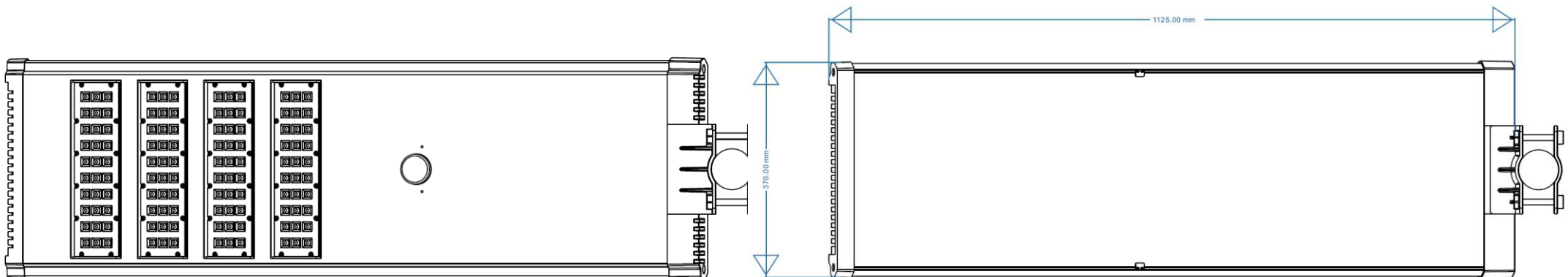


Basic Parameters: AN-SLA-50W

Electrical Characteristic	
Rated Power	50W
Solar Panel(Mono)	18V70W
Lithium Battery	12V 36AH
Charging Time	6-8H
Lighting Time	4-5 nights
Working Temperature	-25°C~+65°C
Sensing Distance	≤12M

LED Parameters	
LED	120pcs 3030
Luminous FLux	210lm/w
Light Distribution	Batwing Type
Color Temperature	2800-6500K

Mechanical Specification	
Light Body Size	1125*370*175mm
Mounting caliber	60-70mm
Retail Packaging	119.5*20.5*44cm
Gross Weight	16.7kg

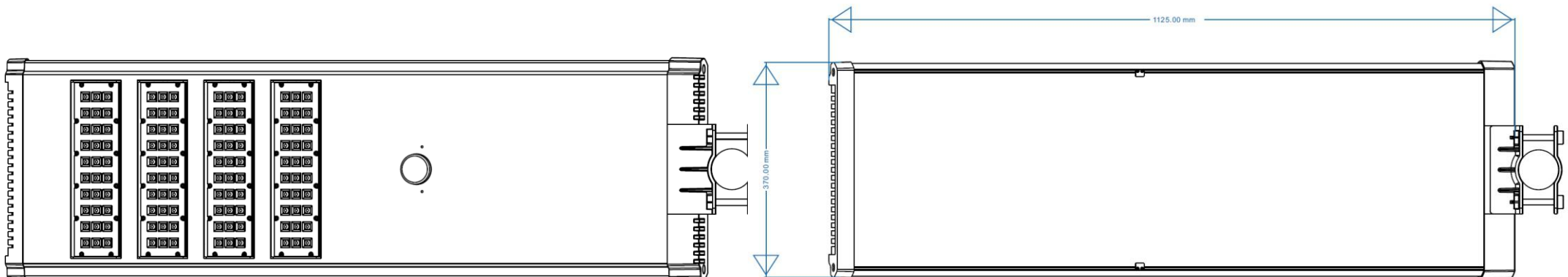
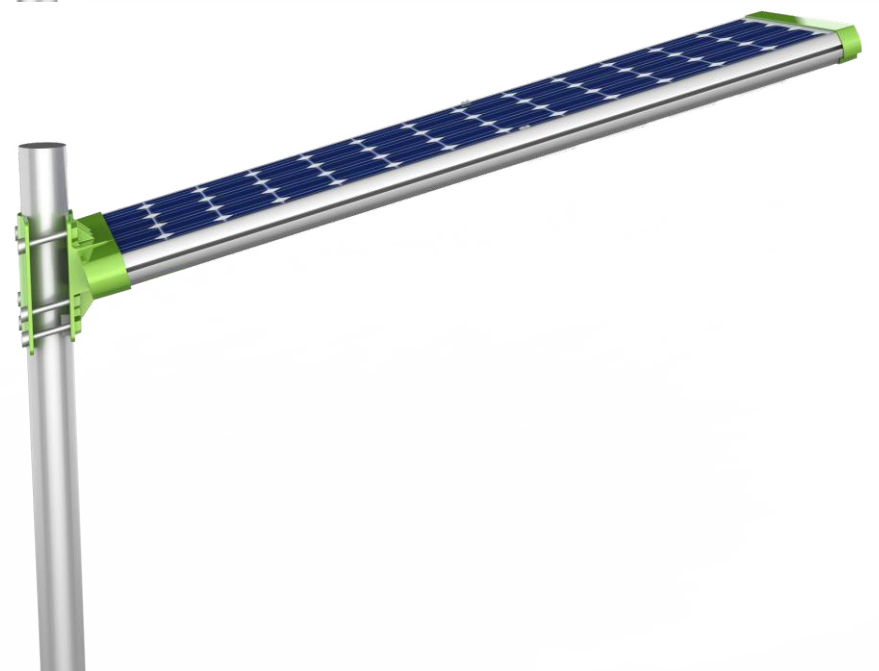


Basic Parameters: AN-SLA-60W

Electrical Characteristic	
Rated Power	60W
Solar Panel(Mono)	18V80W
Lithium Battery	12V 42AH
Charging Time	6-8H
Lighting Time	4-5 nights
Working Temperature	-25°C~+65°C
Sensing Distance	≤12M

LED Parameters	
LED	120pcs 3030
Luminous FLux	210lm/w
Light Distribution	Batwing Type
Color Temperature	2800-6500K

Mechanical Specification	
Light Body Size	1125*370*175mm
Mounting caliber	60-70mm
Retail Packaging	119.5*20.5*44cm
Gross Weight	17kg

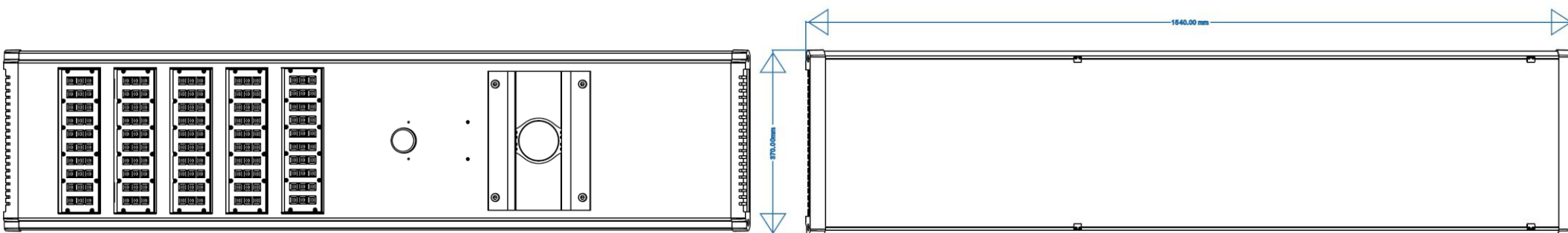


Basic Parameters: AN-SLA-80W

Electrical Characteristic	
Rated Power	80W
Solar Panel(Mono)	18V100W
Lithium Battery	12V 57AH
Charging Time	6-8H
Lighting Time	4-5 nights
Working Temperature	-25°C~+65°C
Sensing Distance	≤12M

LED Parameters	
LED	150pcs 3030
Luminous FLux	210lm/w
Light Distribution	Batwing Type
Color Temperature	2800-6500K

Mechanical Specification	
Light Body Size	1540*370*335mm
Mounting caliber	<80mm
Retail Packaging	161*11*44cm(Lamp)
	29*22*29.5cm(Bracket)
Gross Weight	20kg(Lamp)
	2.9kg(Bracket)



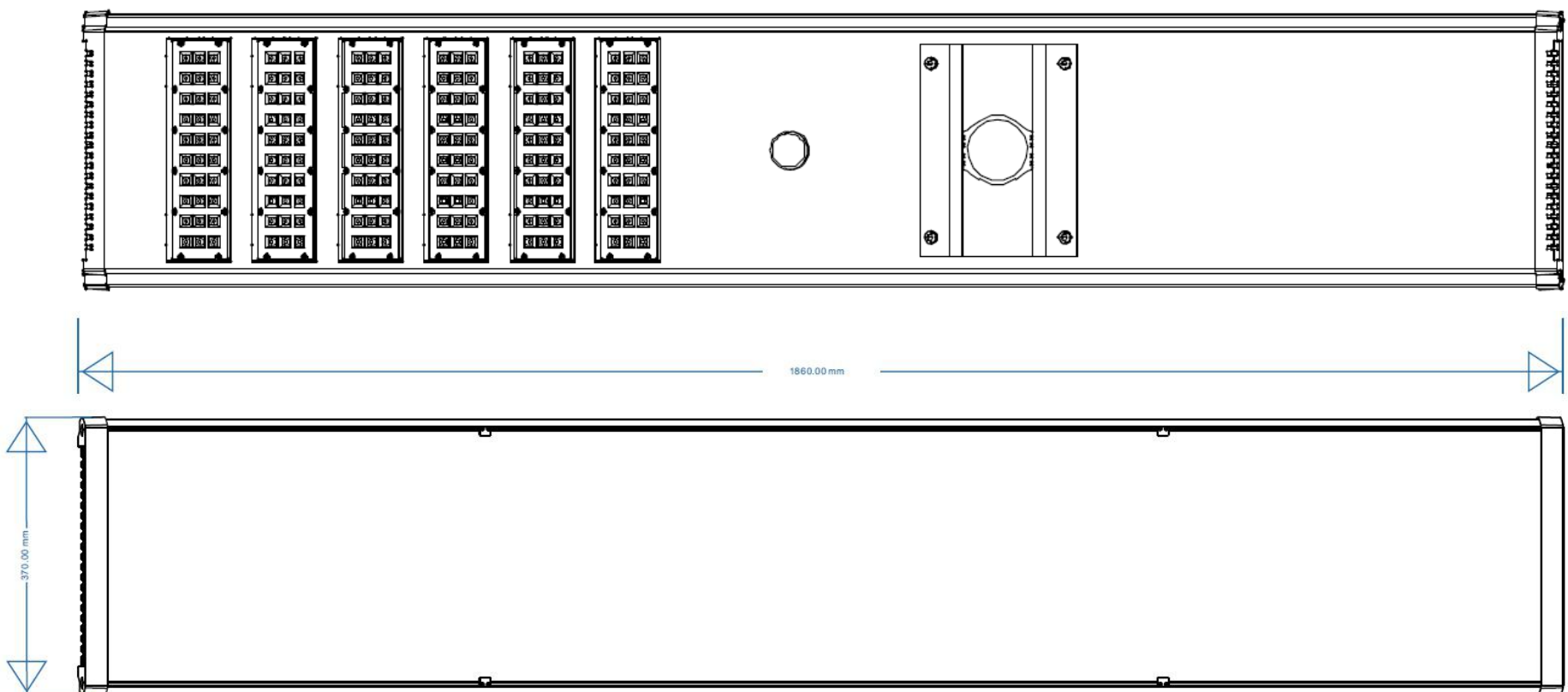
Basic Parameters: AN-SLA-100W

Electrical Characteristic	
Rated Power	100W
Solar Panel(Mono)	18V130W
Lithium Battery	12V 63AH
Charging Time	6-8H
Lighting Time	4-5 nights
Working Temperature	-25°C~+65°C
Sensing Distance	≤12M



LED Parameters	
LED	180pcs 3030
Luminous FLux	210lm/w
Light Distribution	Batwing Type
Color Temperature	2800-6500K

Mechanical Specification	
Light Body Size	1860*370*335mm
Mounting caliber	<80mm
Retail Packaging	193*11*44cm(Lamp)
	29*22*29.5cm(Bracket)
Gross Weight	24.5kg(Lamp)
	2.9kg(Bracket)



Basic Parameters: AN-SLA-120W

Electrical Characteristic	
Rated Power	120W
Solar Panel(Mono)	18V140W
Lithium Battery	12V 72AH
Charging Time	6-8H
Lighting Time	4-5 nights
Working Temperature	-25°C~+65°C
Sensing Distance	≤12M



LED Parameters	
LED	180pcs 3030
Luminous FLux	210lm/w
Light Distribution	Batwing Type
Color Temperature	2800-6500K

Mechanical Specification	
Light Body Size	1860*370*335mm
Mounting caliber	<80mm
Retail Packaging	1930*11*44cm(Lamp)
	29*22*29.5cm(Bracket)
Gross Weight	25.5kg(Lamp)
	2.9kg(Bracket)

